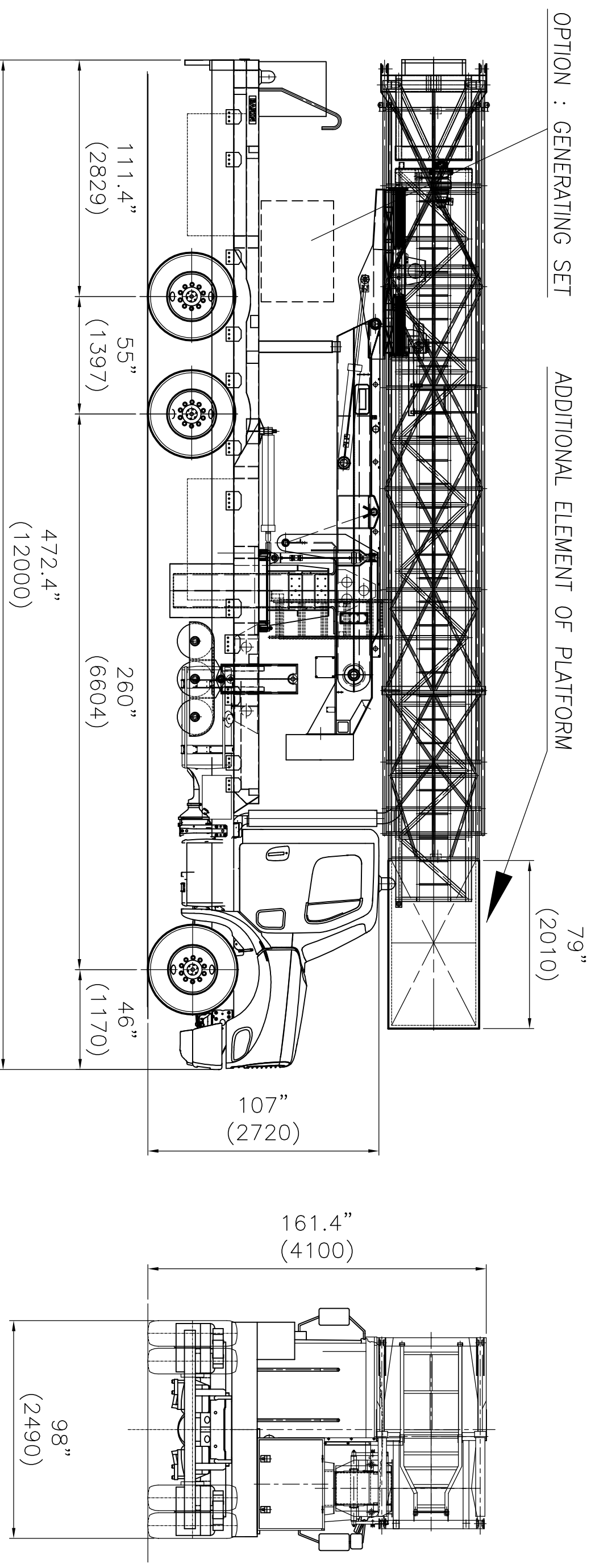


ABC 56 / 62 LS

OVERALL DIMENSIONS IN ROAD TRANSPORT POSITION



TRUCK MOUNTED

3 AXLES CHASSIS

TOTAL WEIGHT : 56.500 lbs (25.650 kg)

SUBJECT TO SLIGHT MODIFICATIONS



denom.ne GENERAL SCHEME		motr. Usa	dis.n. 8577	lov.n.
compi.vo ABC		data 04/02/2011		
CAD DWG	rif.dis.n.	dis. Cestaro B.	cont. Ing Zuccolo Tristano	
— cittadella pd — tel:049/5971300 fax 049/9400229 — http://www.borin.it E-mail:info@borin.it		even partial is forbidden by law—use and spreading to third parties is forbidden—copyright		