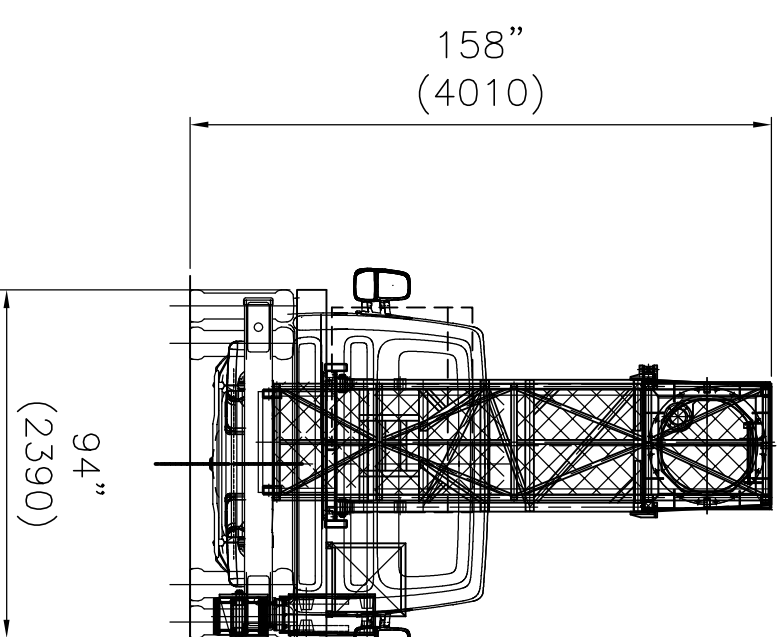
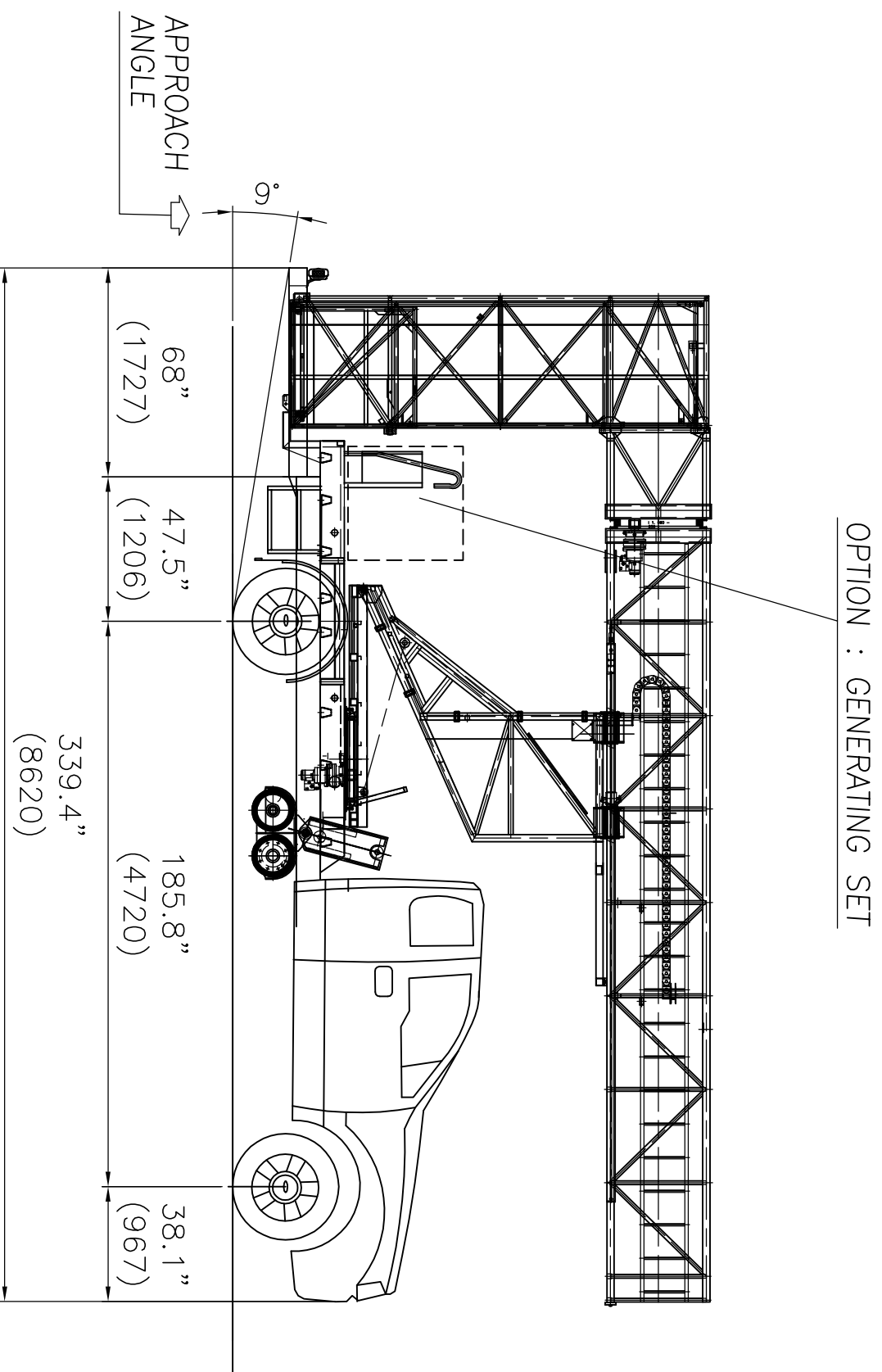


ABC 23 / L

OVERALL DIMENSIONS IN ROAD TRANSPORT POSITION



SUBJECT TO SLIGHT MODIFICATIONS

TRUCK MOUNTED
FORD F - 450 SUPER CAB (4x4) Chassis
TOTAL WEIGHT : 15.000 lbs



denom.ne GENERAL SCHEME		matr.	dis.n.	lov.n.
compi.vo ABC		Standard	8607	
CAD DWG	rit.dis.n.	dis.	Cestaro B.	sent. Ing Zuccolo Tristano
				data 11/02/2011
				scale 1:50

— cittadella pd — tel.049/5971300 fax 049/9400229 — http://www.barin.it E-mail:info@barin.it
 even partial is forbidden by law—use and spreading to third parties is forbidden—copyright