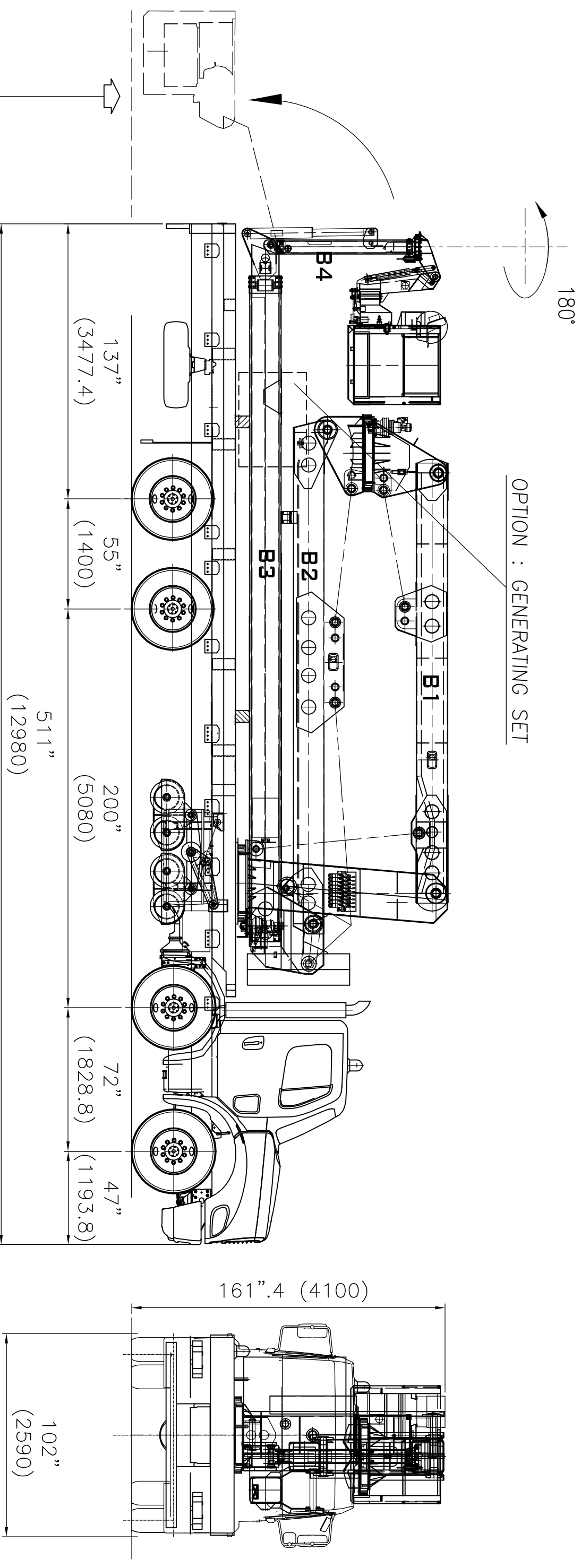


# AB 74 / SL

## OVERALL DIMENSIONS IN ROAD TRANSPORT POSITION



ACCESS TO BASKET  
FROM GROUND LEVEL

TRUCK MOUNTED

4 AXLES CHASSIS

TOTAL WEIGHT : 75.000 lbs (34.050 kg)

SUBJECT TO SLIGHT MODIFICATIONS

**barin**

denom.ne GENERAL SCHEME		modr.	dis.n.	lov.n.
Standard		Standard	8609	
compi.vo AB		data	scale	
		11/02/2011	1:50	
CAD DWG	rif.dis.n.	dis.	Cestaro B.	
cont. Ing Zuccolo Tristano				

— cittadella pd — tel:049/5971300 fax 049/9400229 — <http://www.barin.it> E-mail:info@barin.it  
even partial is forbidden by law—use and spreading to third parties is forbidden—copyright