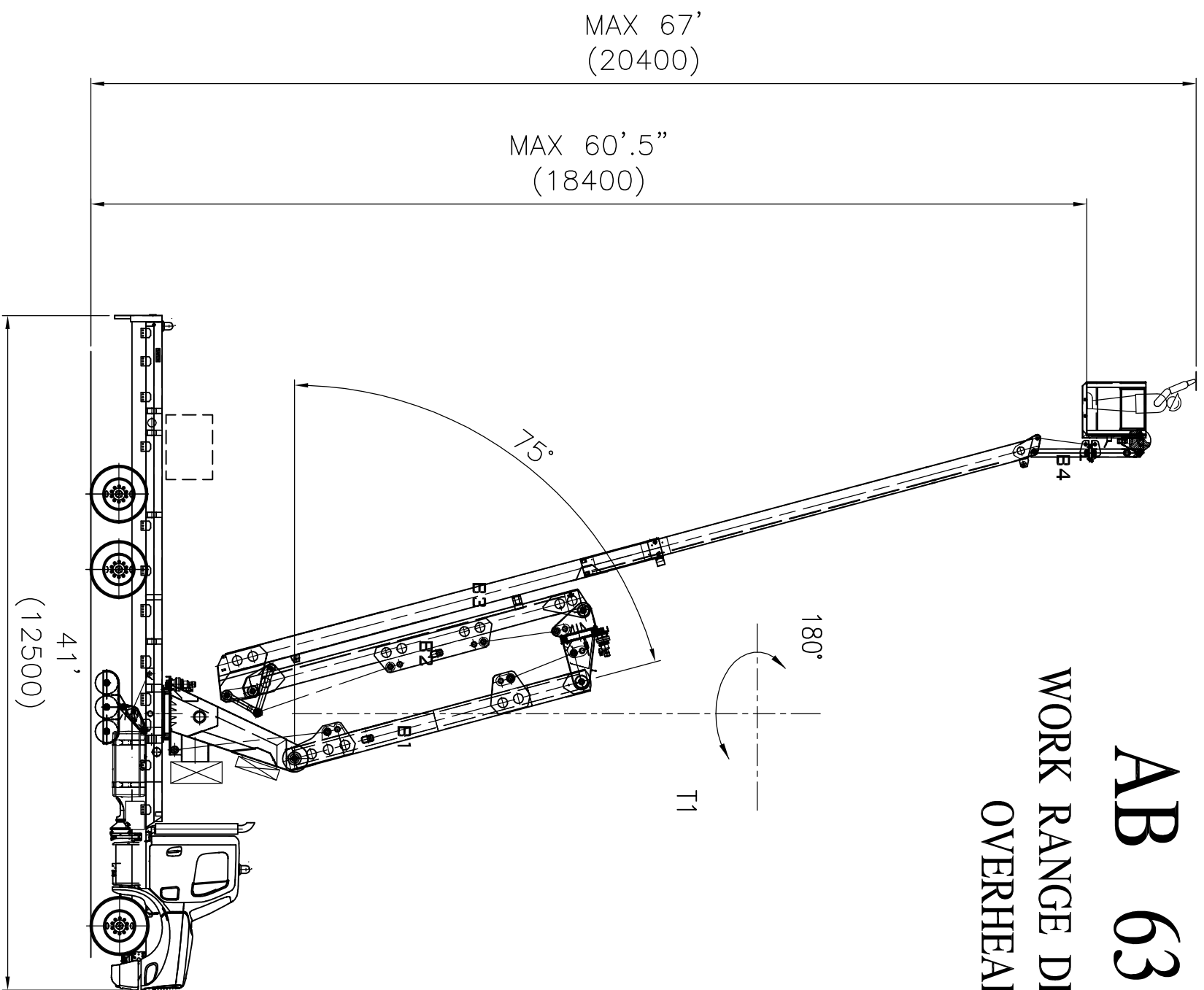
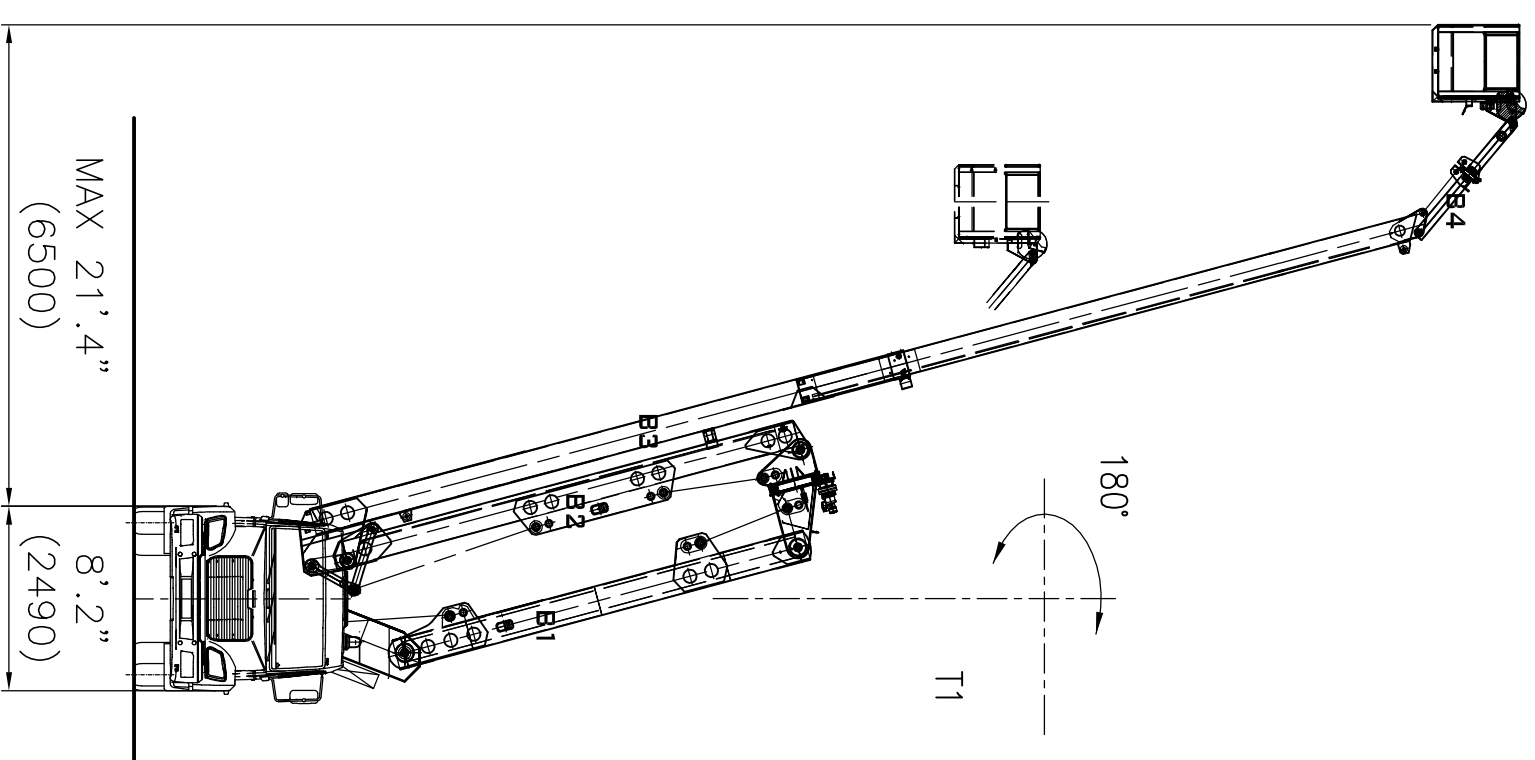


AB 63 / SL

WORK RANGE DIAGRAM OVERHEAD



BASKET CAPACITY : 600 lbs (272 kg)



barin

denom.ne GENERAL SCHEME

combi.vo AB

CAD DWG

motr. Standard

dis.n. 8603

lov.n.

data 10/02/2011

scale 1:100

cont. Ing Zuccolo Tristano

— cittadella pd — tel:049/5971300 fax 049/9400229 — http://www.barin.it E-mail:info@barin.it
even partial is forbidden by law—use and spreading to third parties is forbidden—copyright