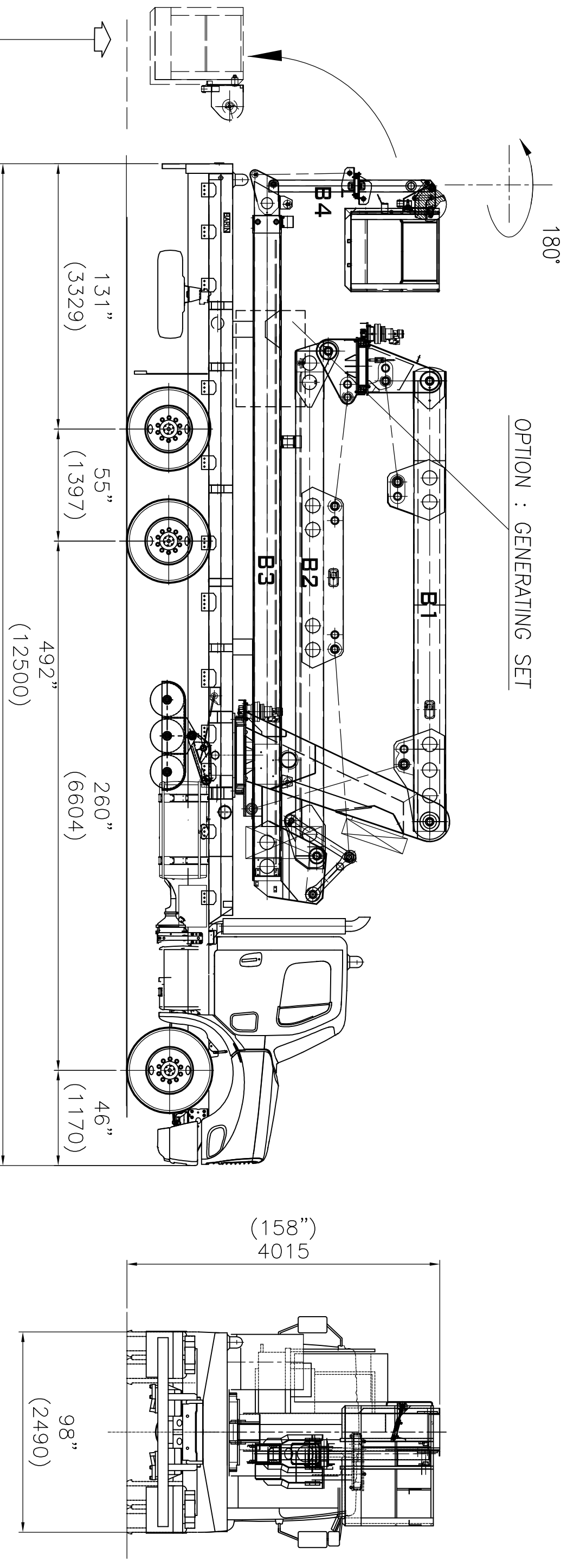


AB 63 / SL

OVERALL DIMENSIONS IN ROAD TRANSPORT POSITION



TRUCK MOUNTED

3 AXLES CHASSIS

TOTAL WEIGHT : 57.000 lbs (25.880 kg)

SUBJECT TO SLIGHT MODIFICATIONS



denom.ne GENERAL SCHEME		modr.	dis.n.	lov.n.
compl.vo AB		Standard	8601	
CAD DWG	rif.dis.n.	dis.	Cestaro B.	cont. Ing Zuccolo Tristano
10/02/2011		date	scale	1:50

— cittadella pd — tel:049/5971300 fax 049/9400229 — http://www.borin.it E-mail:info@borin.it
even partial is forbidden by law—use and spreading to third parties is forbidden—copyright