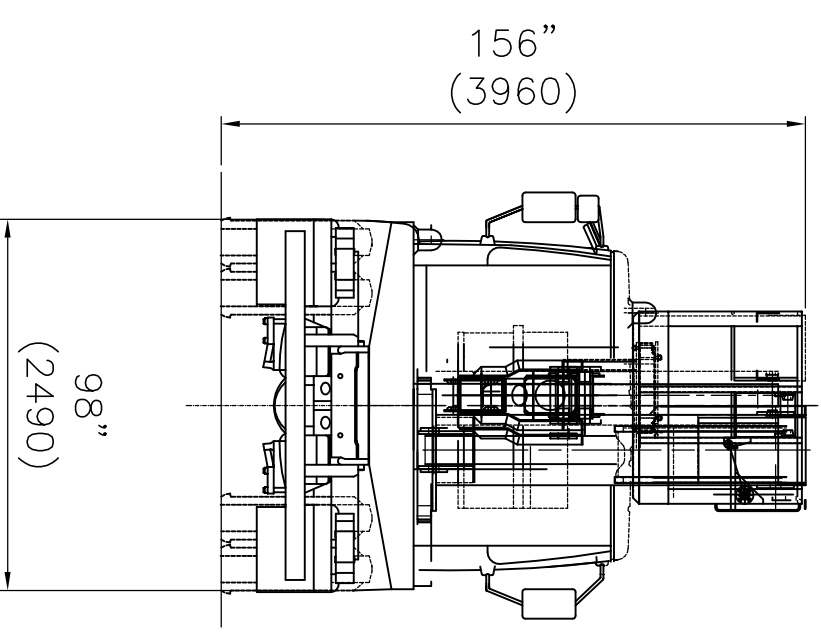
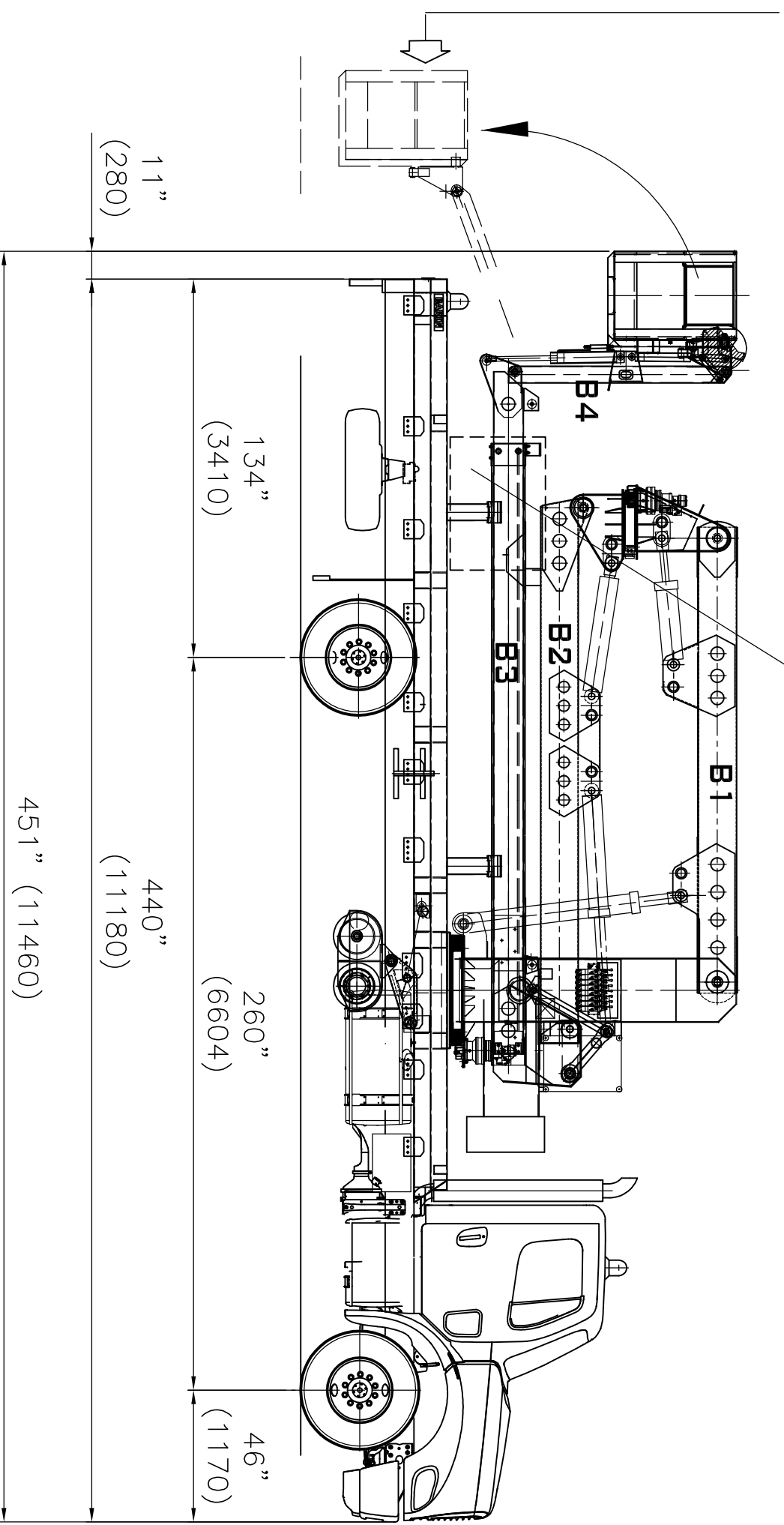


AB 46 / SL

OVERALL DIMENSIONS IN ROAD TRANSPORT POSITION

ACCESS TO
BASKET FROM
GROUND LEVEL

OPTION : GENERATING SET



TRUCK MOUNTED
2 AXLES CHASSIS
TOTAL WEIGHT : 39.000 lbs (17.700 kg)



denom.ne GENERAL SCHEME		motr.	dis.n.	lov.n.
compi.vo AB		Standard	8597	
CAD DWG	rif.dis.n.	dis.	Cestaro B.	cont. Ing Zuccolo Tristano
— cittadella pd — tel:049/5971300 fax 049/9400229 — http://www.borin.it E-mail:info@borin.it		data	09/02/2011	scale
even partial is forbidden by law—use and spreading to third parties is forbidden—copyright				1:50