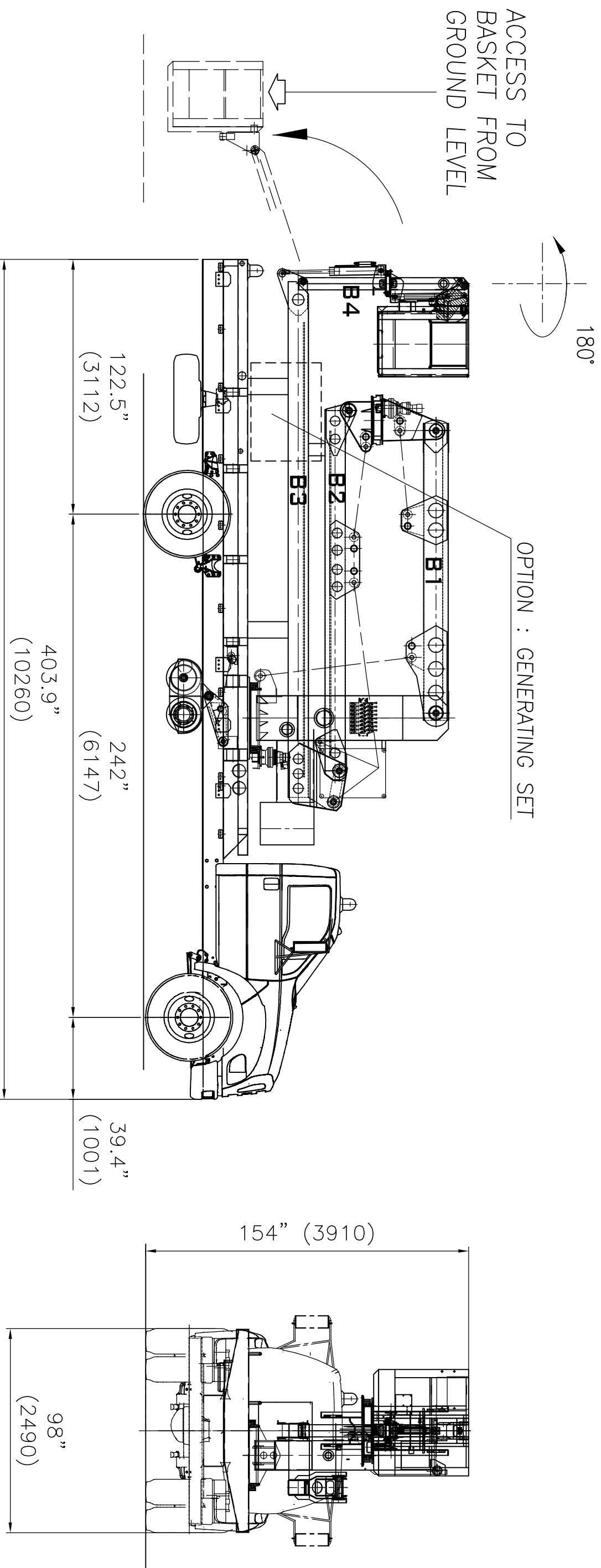


AB 32 / SL

OVERALL DIMENSIONS IN ROAD TRANSPORT POSITION



TRUCK MOUNTED

FORD F - 650 REGULAR CAB Super Duty Chassis

TOTAL WEIGHT : 25.700 lbs (11.670 kg)

SUBJECT TO SLIGHT MODIFICATIONS



denom.ne GENERAL SCHEME		motr. Standard	dis.n. 8594	lov.n.
compi.vo AB		data 08/02/2011	scale 1:50	
CAD DWG	rif.dis.n.	dis. Cestaro B.	cont. Ing Zuccolo Tristano	

— cittadella pd — tel:049/5971300 fax 049/9400229 — http://www.borin.it E-mail:info@borin.it
even partial is forbidden by law—use and spreading to third parties is forbidden—copyright